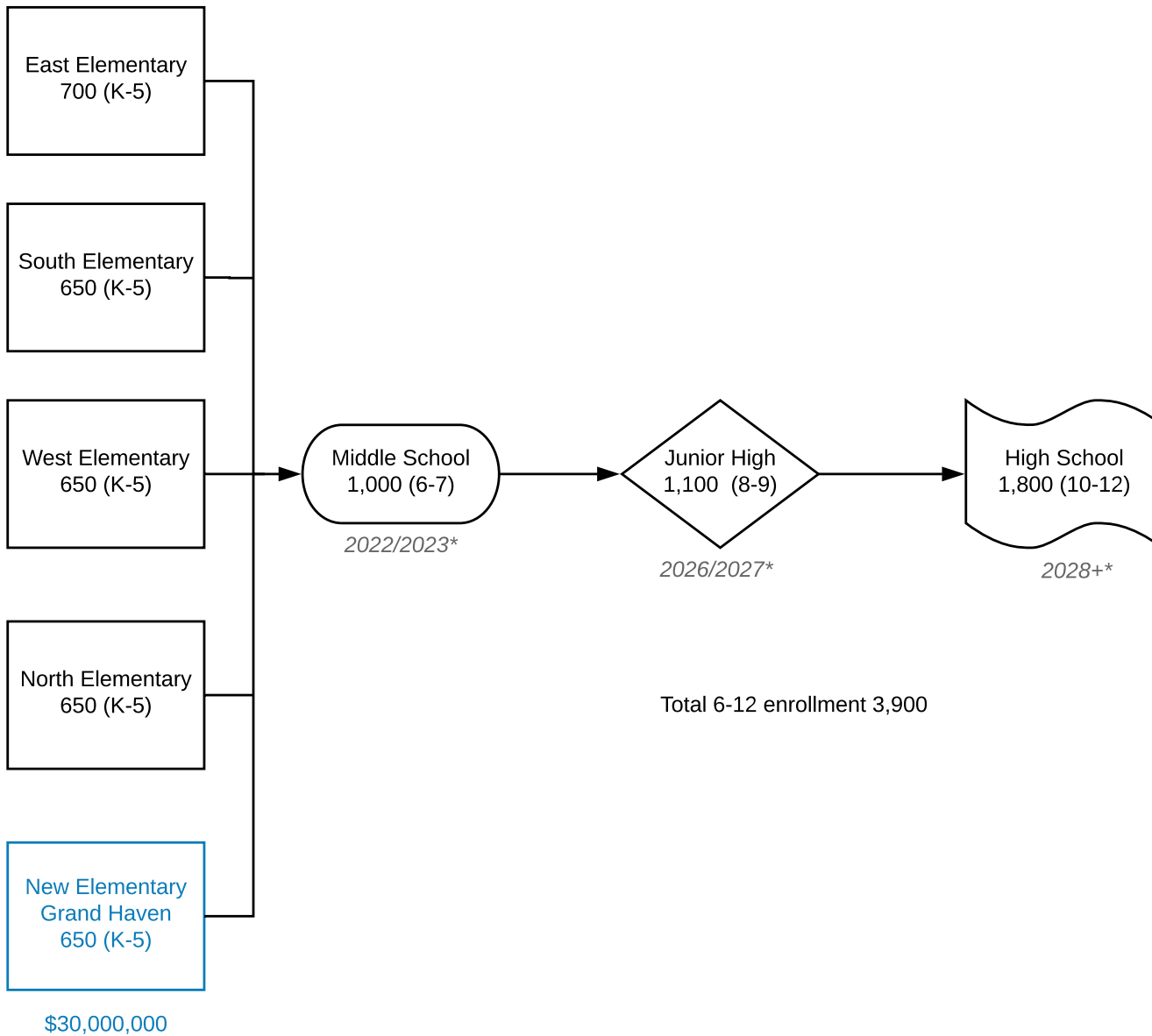


New Elementary Phase One



Planning Criteria

1. Safety and Security
2. Desired Class Size, K-12
3. School Sites
4. Special Education
5. Grade Configuration - Freshman Center
6. Early Childhood
7. Modular Classrooms
8. Grade Configuration - Temporary
9. Partnering for Success
10. Grade Configuration - More than 1 grade

Total K-5 enrollment 3,300
2028+*

Total K-12 enrollment 7,200

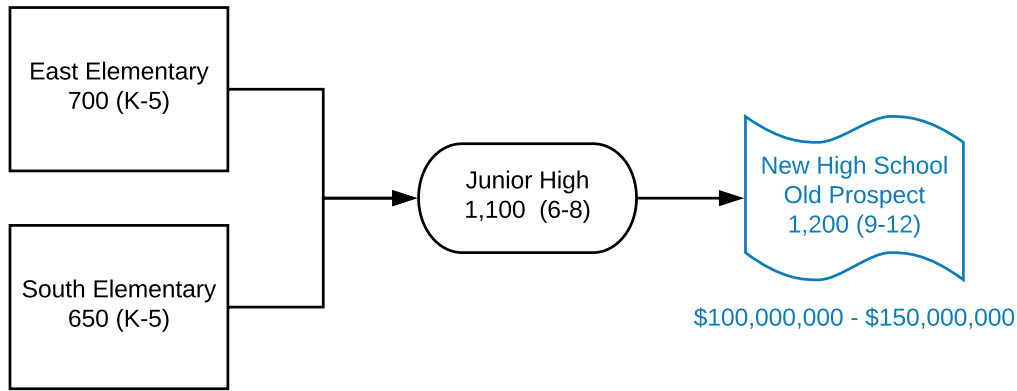
Phase One Total: \$30,000,000
Total: \$30,000,000



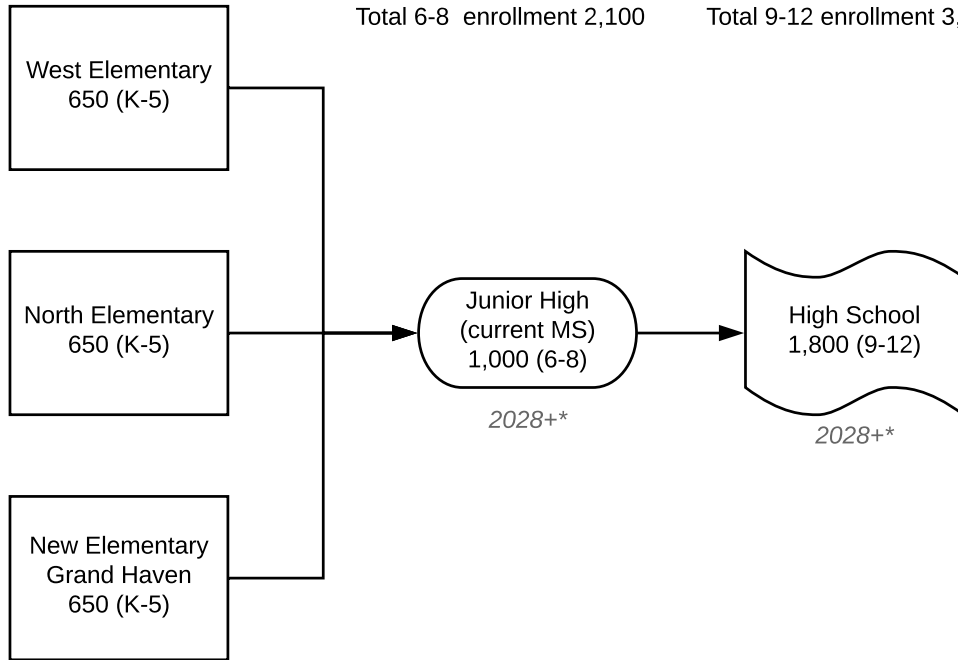
Building capacity based on ideal class size

* Enrollment projections estimated off 2018 Demographic Study. Dates could vary.

New Elementary Phase Two



Total 6-8 enrollment 2,100 Total 9-12 enrollment 3,000



Total K-5 enrollment 3,300
2028+*

Total K-12 enrollment 8,400

Phase One Total: \$30,000,000
Phase Two Total: \$100,000,000 - \$150,000,000
Total: \$130,000,000 - \$180,000,000

Planning Criteria

1. Safety and Security
2. Desired Class Size, K-12
3. School Sites
4. Special Education
5. Grade Configuration - Freshman Center
6. Early Childhood
7. Modular Classrooms
8. Grade Configuration - Temporary
9. Partnering for Success
10. Grade Configuration - More than 1 grade

Building capacity based on ideal class size

* Enrollment projections estimated off 2018 Demographic Study. Dates could vary.

